

GENERAL INFORMATION

Project Name: _____
 Item: _____
 Quantity: _____
 Model: DECO-253-N
 Length: _____

STANDARD NSF LISTED FINISH OPTIONS

- Stainless Steel #4
- Chrome
- Gloss Black
- Wrinkle Black
- Smoked Copper
- Polished Brass Finish
- Other _____

TUBE OPTIONS

- 1-1/2" Round (standard)
- 1" Round Diameter
- 1" Square
- 1-1/2" Square

GLASS THICKNESS

- 1/4" Tempered Glass (not for shelves) Centerline Max 54"
- 3/8" Tempered Glass (standard) (for shelf or span more than 54") Centerline Max 66"
- 1/2" Tempered Glass (for shelf or span more than 66") Centerline Max 72"

GLASS PANEL OPTIONS

- Full Perimeter Channel

TOP SHELF OPTIONS

- 1/2" Tempered Glass
- 3/8" Tempered Glass
- #8 Mirror Polished Brass
- Stainless: #4 Brushed #8 Mirror Polished
- Powder Coated Color _____
- Solid Surface Material _____

INSTALLATION OPTIONS

- Above-Counter:** Round Tube
 - Narrow Flange
 - Round Flange
- Above-Counter:** Square Tube
- Under-Counter:** Round Tube
- Under-Counter:** Square Tube

See installation pages for more information.

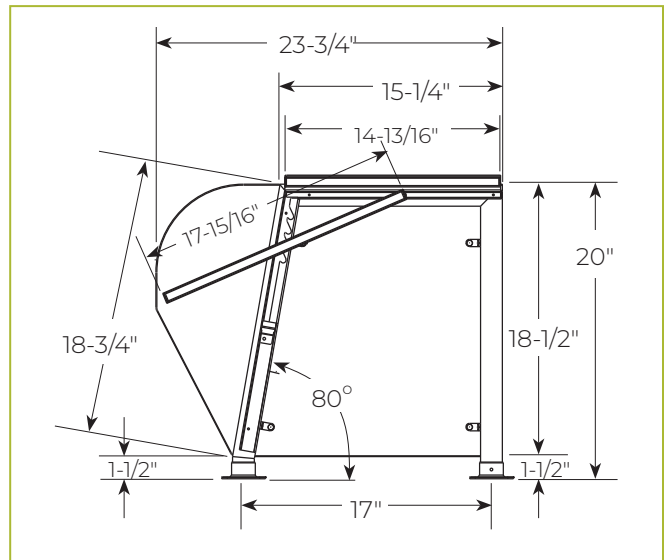
Approval drawings required.
 Specifications subject to change without notice.

DECO-253-N

Self-Serve or Operator-Serve Food Shield



Shown without end panels.



To meet NSF guidelines, end panels are included on all BSI quotations unless specifically excluded.

Ships Fully Assembled.

LIGHT AND WARMER OPTIONS

- 2580 Slimline LED Light
- 790 Stealth Warmer Unit
- 705 Stealth Light/Warmer Combo Unit
- 500 Stealth Heat/Light/Heat Combo Unit

Structural enhancements or mounting might be required to support heat light options.